

# The Protector HybridPro

*Duplex pump efficiency and performance, whether there's power or not*

Protector HybridPro automatic battery backup control system provides superior flood protection during power outages, when heavy inflow or storm conditions may exist. Protector HybridPro supplies reliable uninterrupted AC power to primary or secondary 115VAC sump pumps. For use with any standard AC sump pump rated up to 1/3 hp, 8 amps.



## STANDARD FEATURES:

- One piece unit is lightweight, durable, and designed for quiet operation
- Controls a single sump pump, two sump pumps at parallel level, or (*for maximum protection*) two sump pumps at staggered levels
- Outlet for a high water level switch, providing an additional level of protection
- Automatically tests the sump pump(s) daily
- LEDs, battery voltmeter, and an audible alarm indicate the operating mode and system status
- Automatically maintains the batteries at their optimum voltage for peak performance
- Converts battery power to high efficiency AC power for smooth operation of the sump pump motor
- Wall mounting bracket, AC cord, battery cables and connectors, and jumper cords included

**Basement Flood  
Protector Inc.**

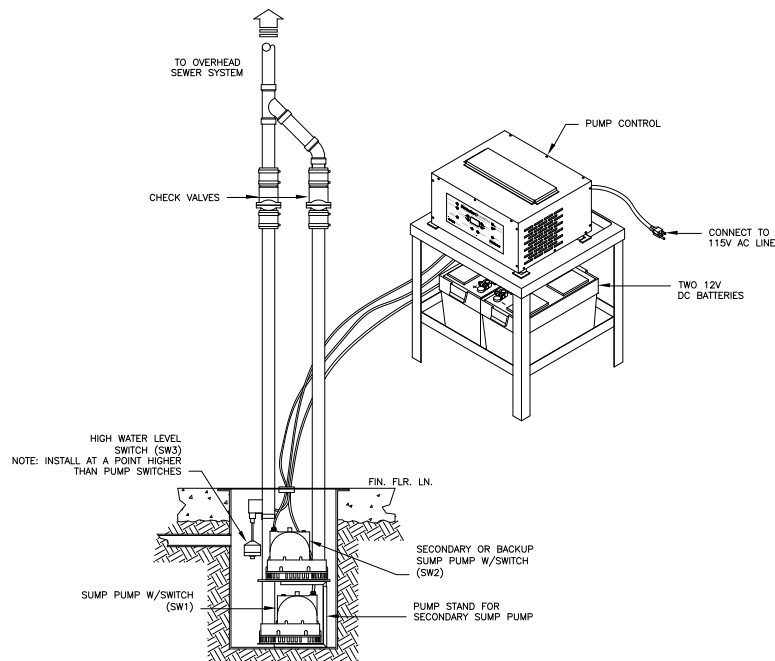
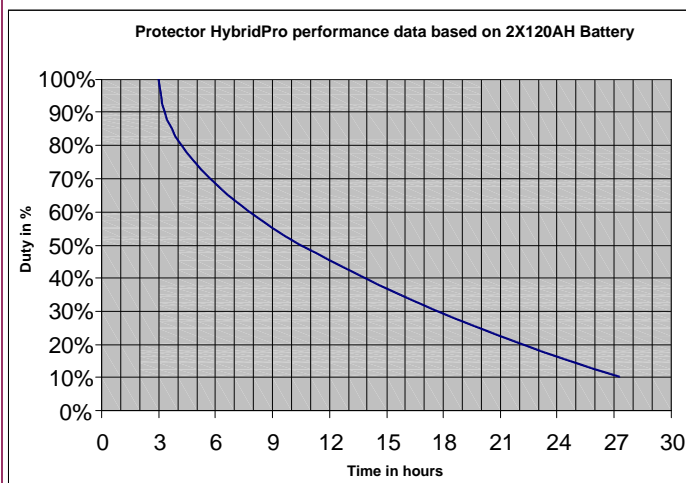
Lake Zurich, IL 60047  
www.floodnot.com  
847-438-6770

Optimized for use with

**The Protector EcoPower**  
*The world's most efficient sump pump*

# The Protector HybridPro

Duplex pump efficiency and performance, whether there's power or not



## ADDITIONAL EQUIPMENT (Sold Separately):



- Batteries: Two 12VDC, deep cycle, maintenance-free, lead-acid batteries (minimum 90 AH rating) each (**Required**)
- Battery Boxes (**Required**)
- 115 VAC sump pump(s) with piggy-backed pump switches (**Required**) (maximum sump pump size: 1/3 hp, 8 amps, 920 watts)
- High (maximum) water level switch (**Optional, but recommended**)
- Auxiliary Alarms, Equipment Rack and Pump Stand (**Optional**)

**Basement Flood**  
**Protector Inc.**

Lake Zurich, IL 60047  
www.floodnot.com  
847-438-6770

Optimized for use with

The **Protector** EcoPower  
The world's most efficient sump pump